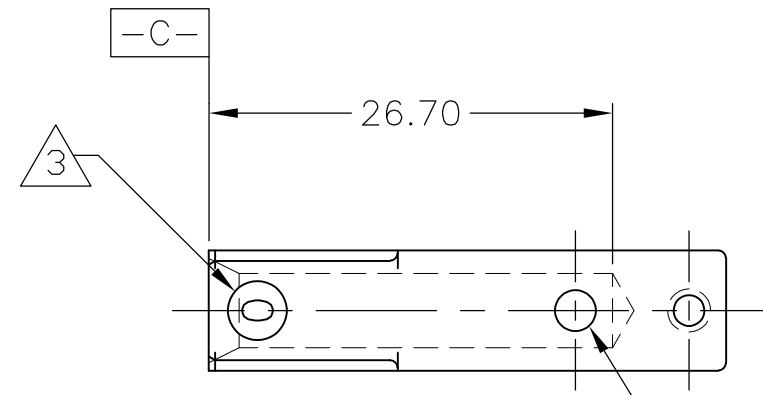
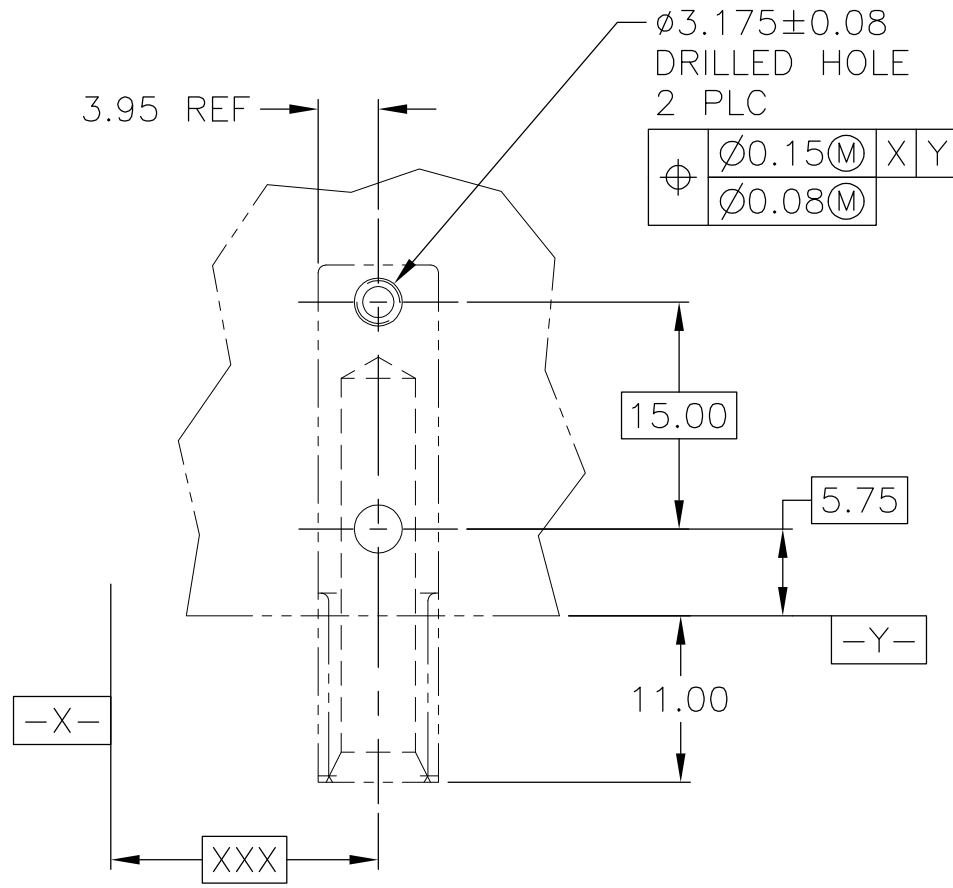
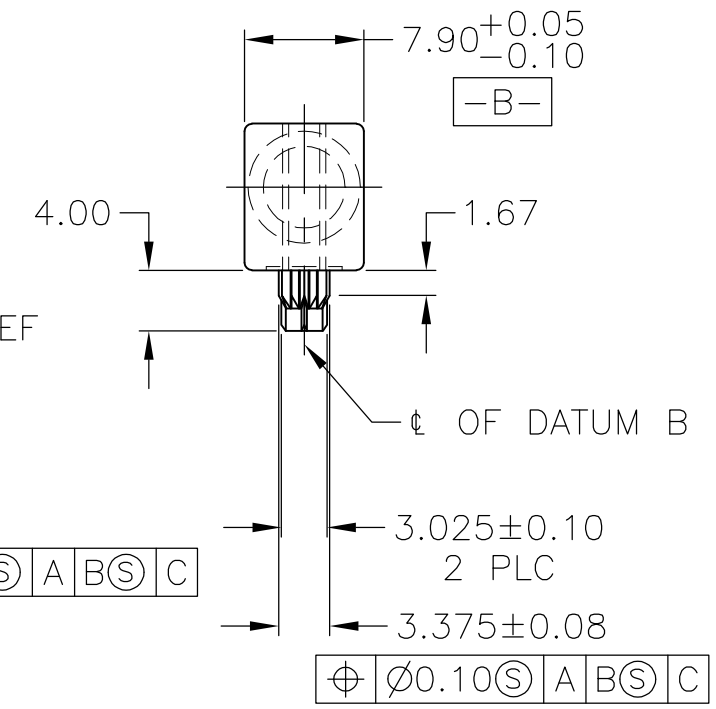
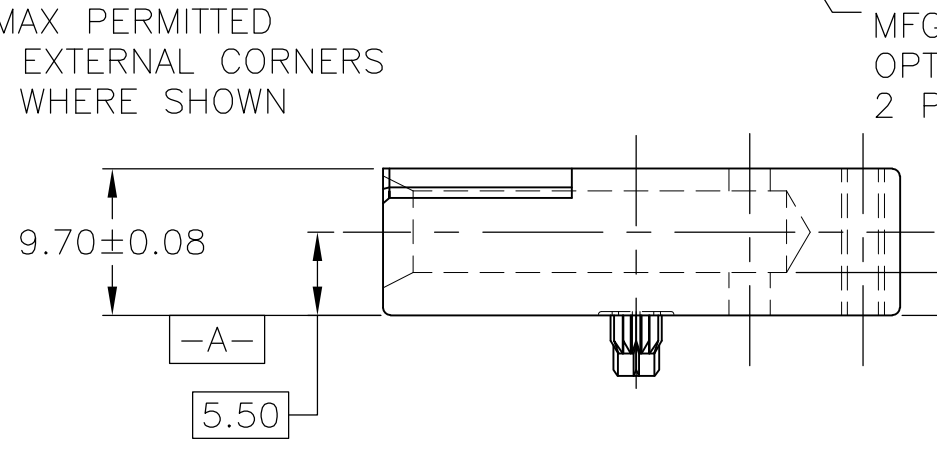
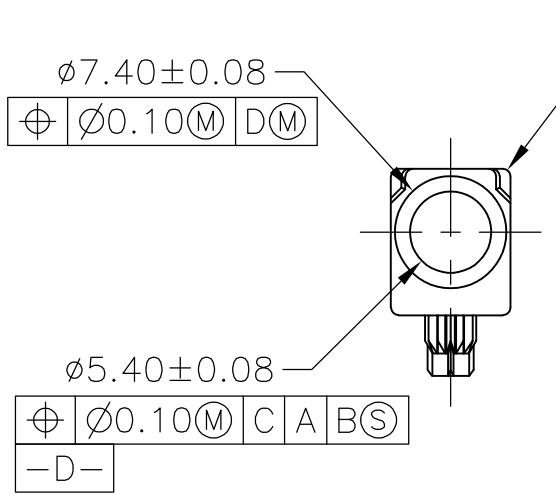


THIS DRAWING IS UNPUBLISHED. RELEASED FOR PUBLICATION
 © COPYRIGHT - By - ALL RIGHTS RESERVED.

LOC	DIST	REVISIONS			
P	LTR	DESCRIPTION	DATE	DWN	APVD
AD	00	A1	REVISED PER ECO-11-004835	11MAR11	RK HMR



- 1 MATERIAL: ZINC ALLOY DIE CASTING, ZAMAK 3.
- 2 SURFACE FINISH: CHROMATE CONVERSION COATING. (ROHS COMPATIBLE).
- 3 M3 "0" THREAD IDENTIFIER.
- 4 PACKAGE QTY 500 PCS.



3 4	-	5223957-4
3	M3 X 0.5	5223957-3
-	#4-40 UNC-2B	5223957-1
REMARKS	THREAD TYPE	PART NUMBER

THIS DRAWING IS A CONTROLLED DOCUMENT.		DWN J. POLIGNONE 05APR05	TE Connectivity	
DIMENSIONS: mm		CHK R. PATTERSON 05APR05		
TOLERANCES UNLESS OTHERWISE SPECIFIED:		APVD R. PATTERSON 05APR05	NAME	
0 PLC ± - 1 PLC ± - 2 PLC ± 0.13 3 PLC ± - 4 PLC ± - ANGLES ± -		PRODUCT SPEC	MODULE, FEMALE GUIDE, UNIVERSAL POWER MODULE	
MATERIAL		FINISH	APPLICATION SPEC	RESTRICTED TO
1		2		SIZE
CUSTOMER DRAWING		WEIGHT	A3	CAGE CODE
SCALE		2:1	DRAWING NO	00779
SHEET		1 OF 1	REV	A1